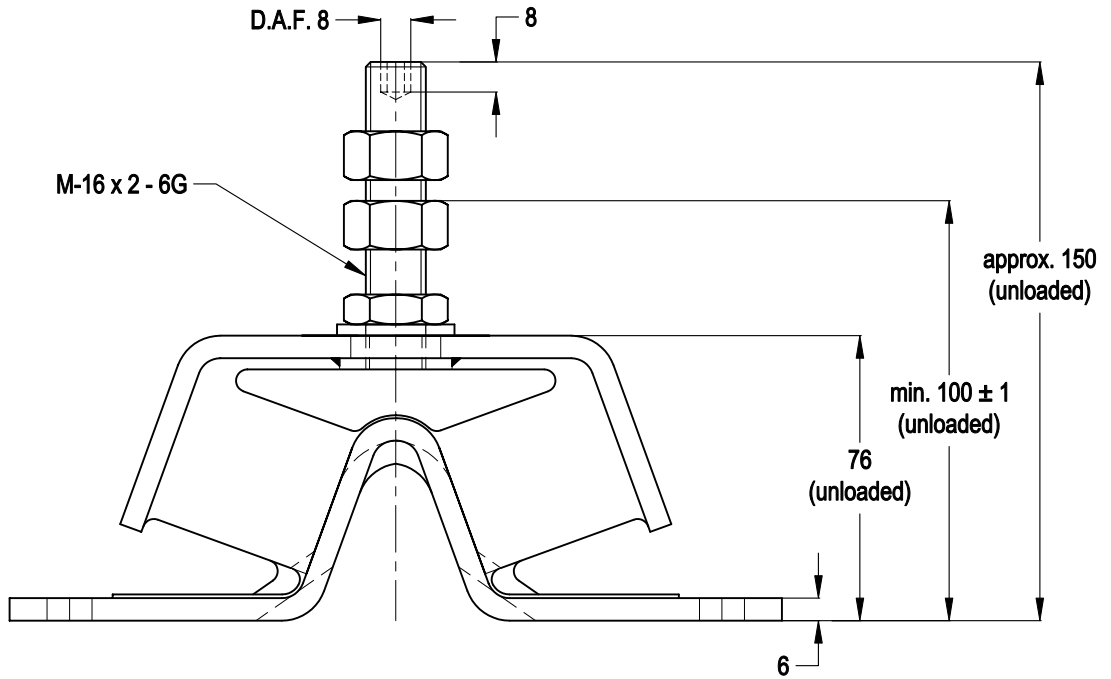
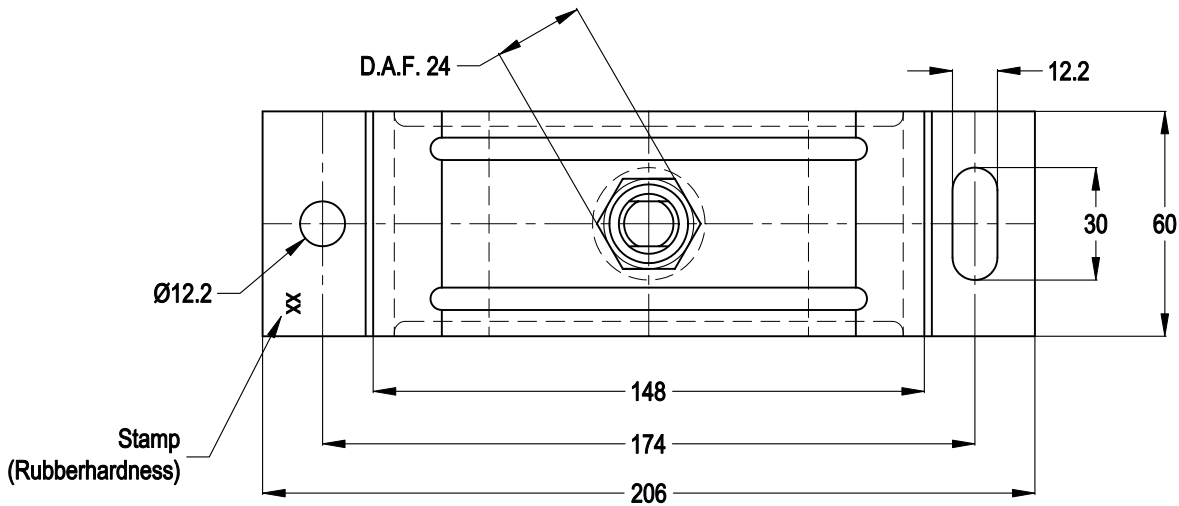


SIDEVIEW



TOPVIEW



			MATERIAL: METAL/RUBBER	NR. 1	REMARKS: -
			TITLE: H.A. YM Marine Engine Mounting	OVER. TOL. ± 0.5	ANGULARITY ± 0.5
			TYPE: 100150 serie	ROUGHNESS 3.2 ✓	ALL RIGHTS STRICTLY PRESERVED. REPRODUCTION OR ISSUE TO THIRD PARTIES IS NOT PERMITTED WITHOUT WRITTEN AUTHORITY OF GUMETA TECHNIEK B.V.
1	24/09/2013	stud size			
REV.	DATE	REMARKS			
SCALE: N.A.	DIMENSIONS IN MM.		MOTORSTEUNEN.NL ENGINEMOUNTS.NL		PROJECTION:
DRW. M.S.	DATE 06/02/12				DRAWING NR. 100150
CHK. H.K.	DATE 06/02/12				REV. 1